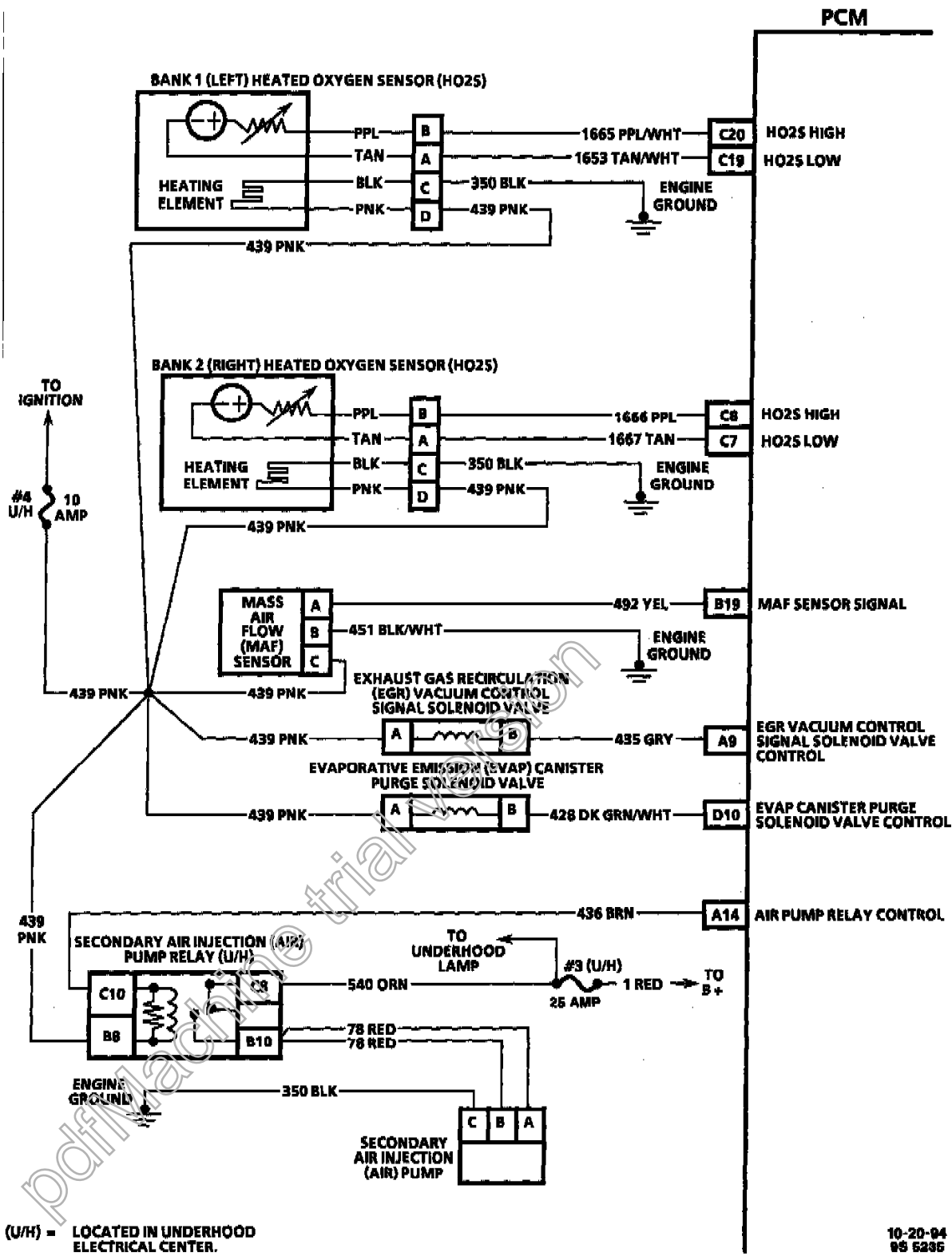
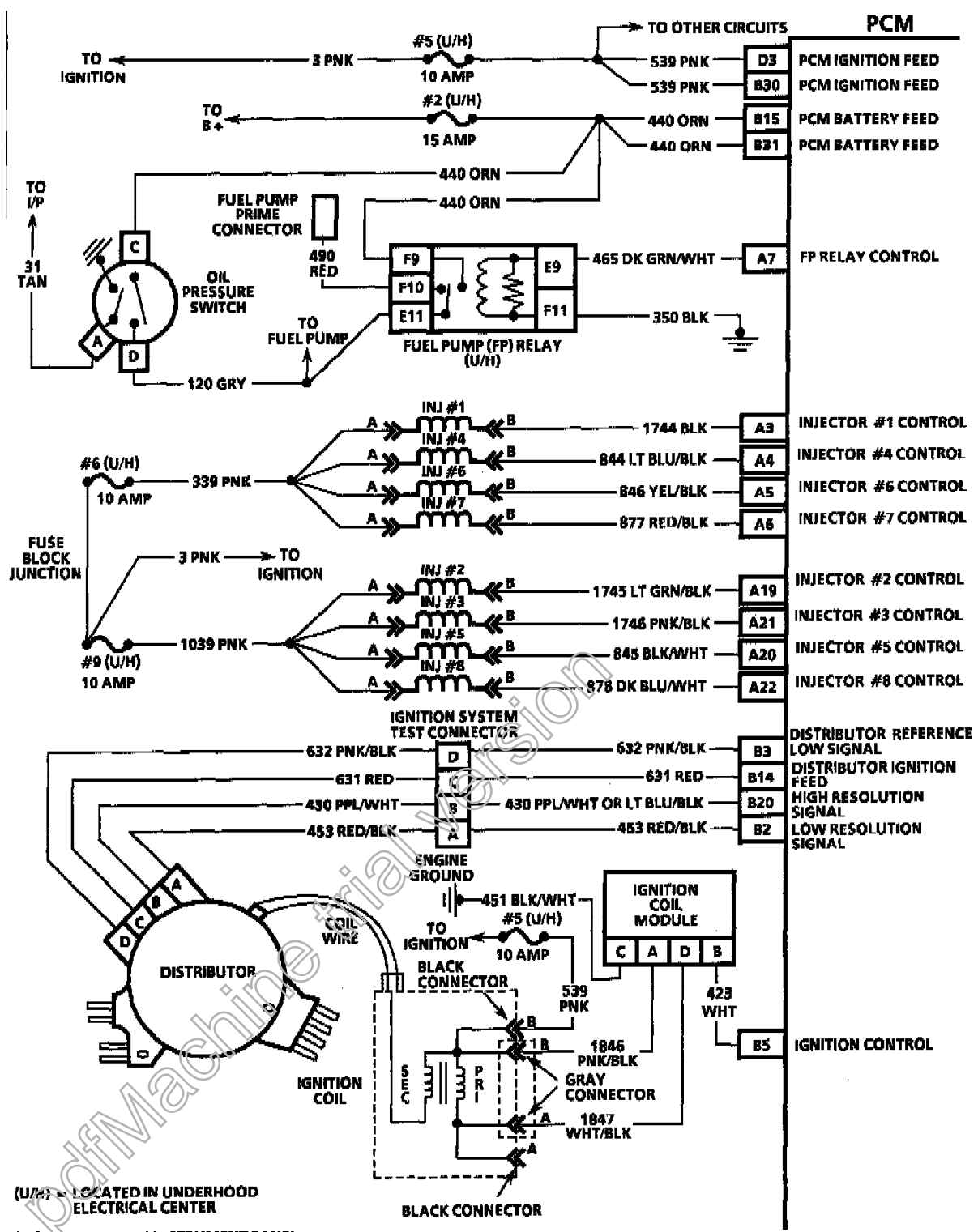


PCM Wiring Diagram (1 Of 7)

12-13-84  
98 6334

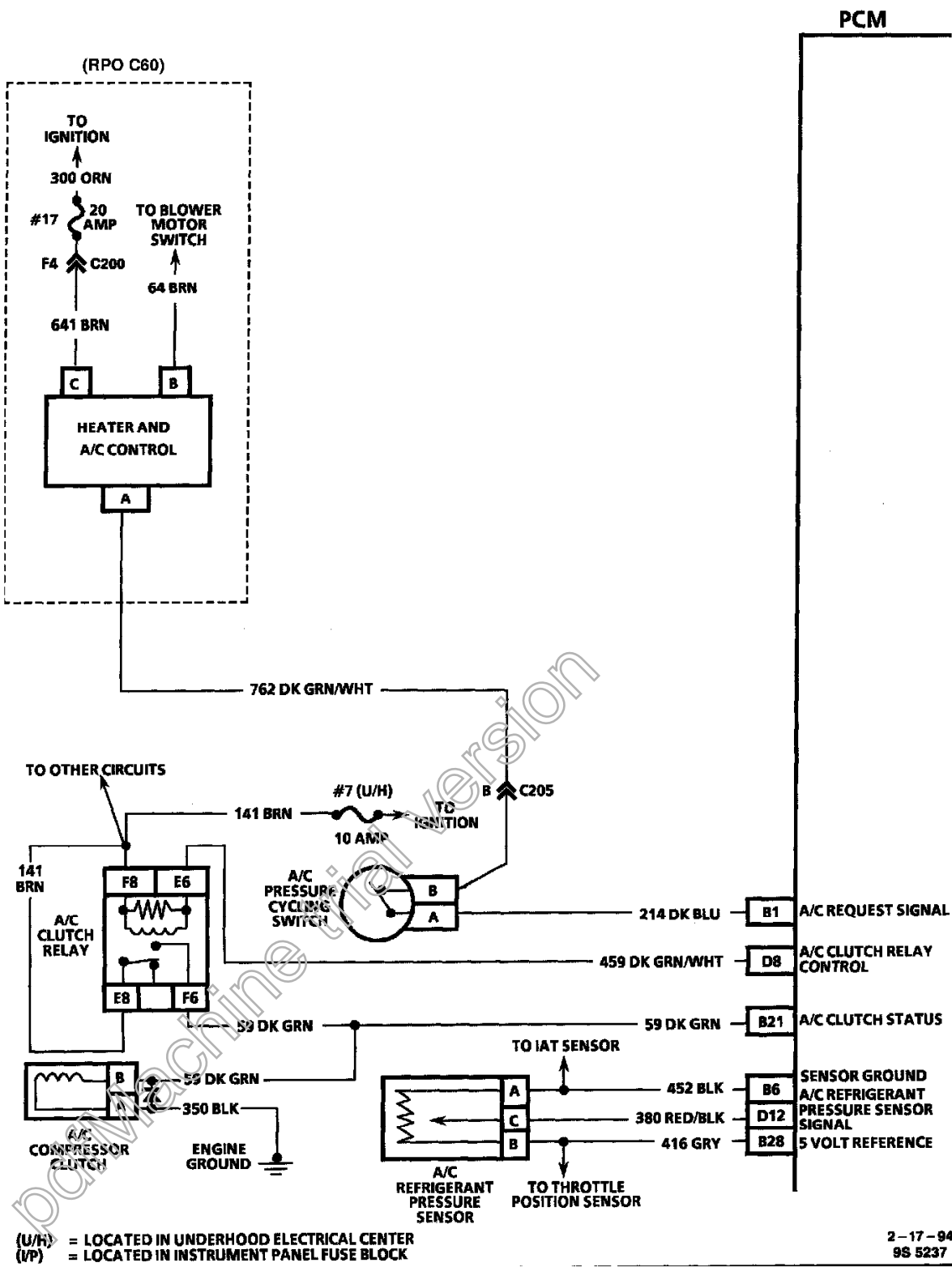


PCM Wiring Diagram (2 Of 7)

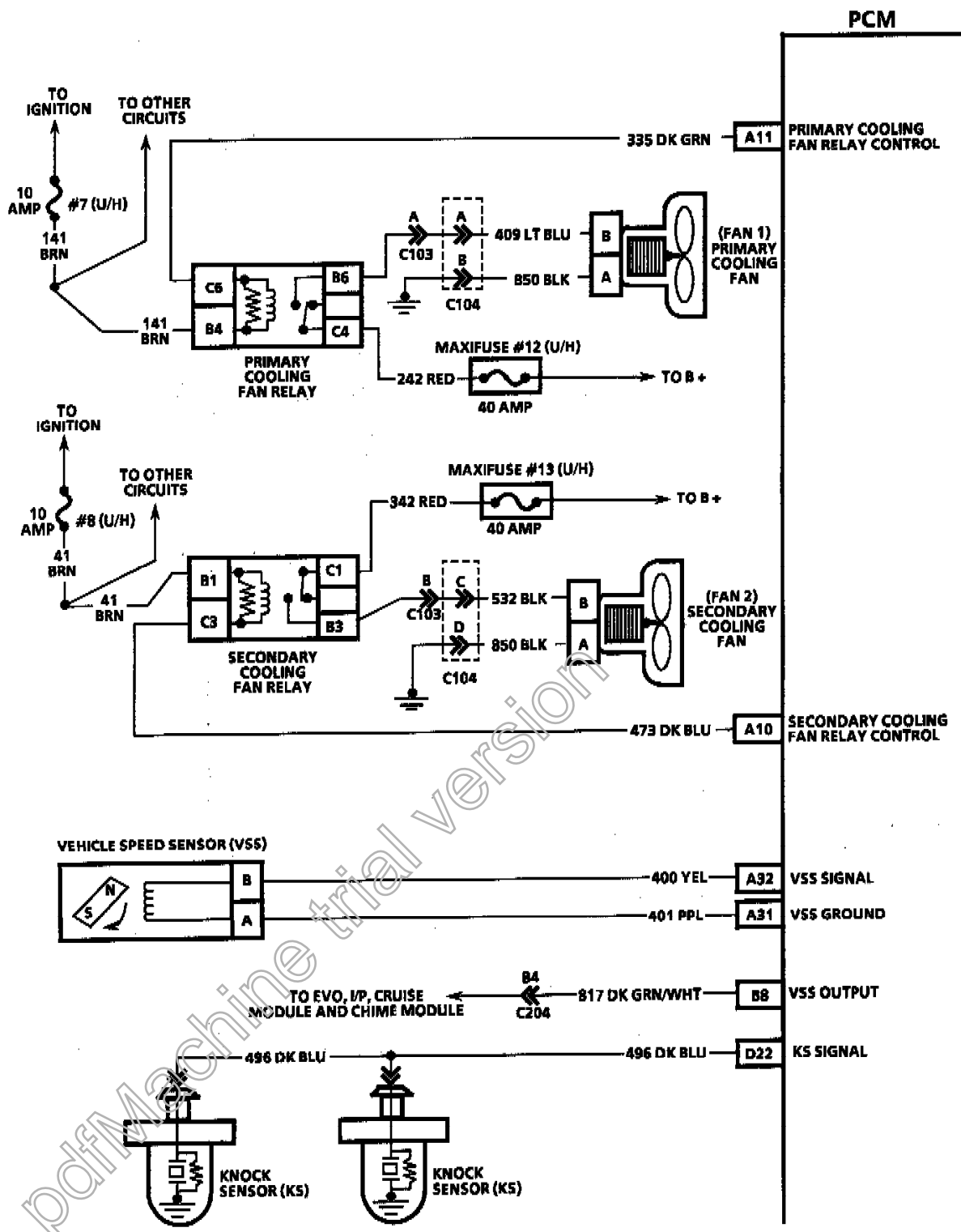


1-6-94  
95 5236

PCM Wiring Diagram (3 Of 7)



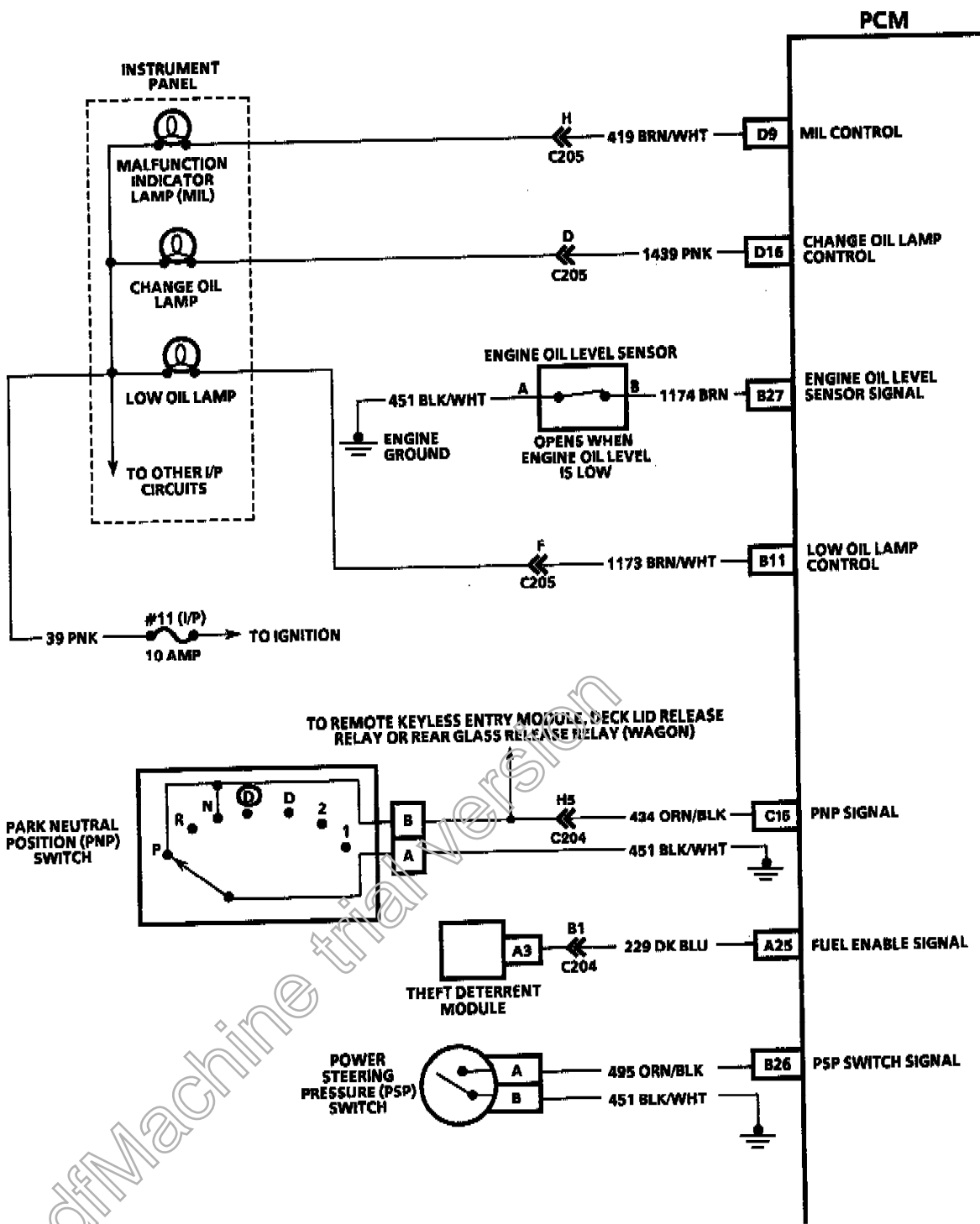
PCM Wiring Diagram (4 Of 7)



(U/H) = LOCATED IN UNDERHOOD ELECTRICAL CENTER

7-1-93  
PS 17865

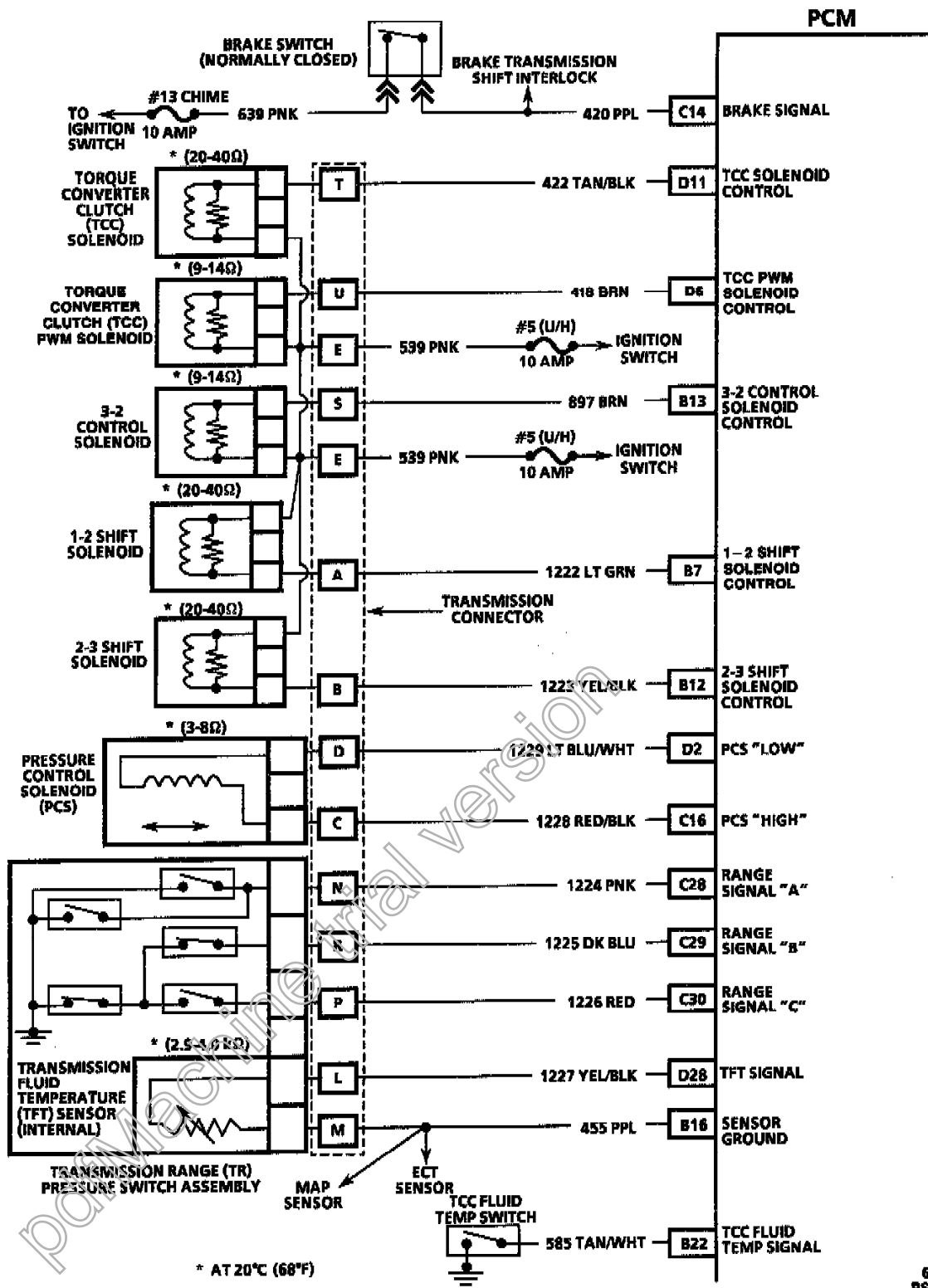
PCM Wiring Diagram (5 Of 7)



(I/P) = LOCATED IN INSTRUMENT PANEL FUSE BLOCK

10-20-04  
86 5238-6E

PCM Wiring Diagram (6 Of 7)



PCM Wiring Diagram (7 Of 7)